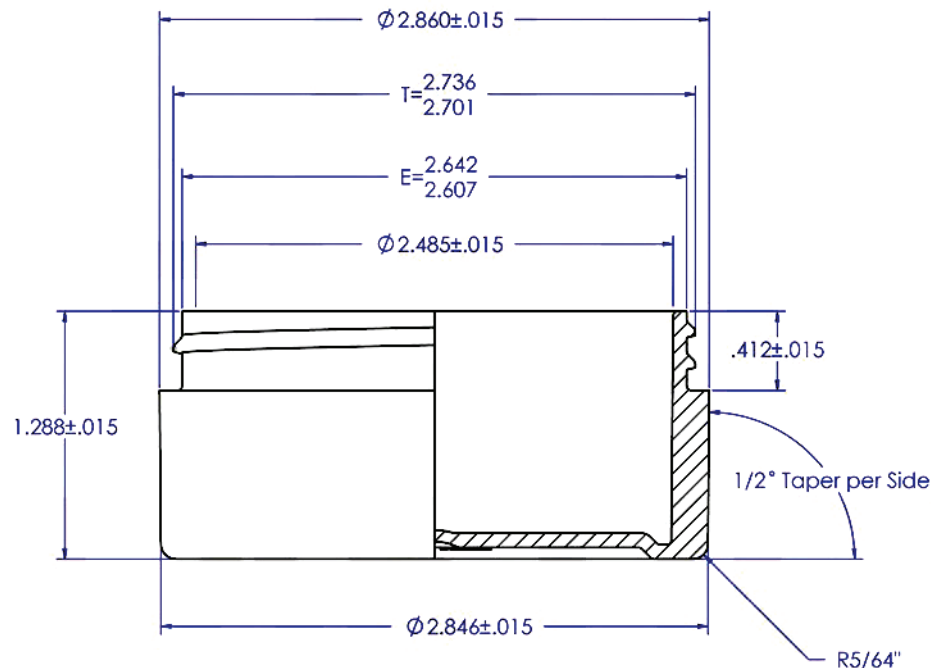


# QUADPACK

PACK CODE JAR2428-2oz  
 PACK TYPE J A R S  
 CATEGORY Skincare



## PRODUCT DATA SHEET

### DESCRIPTION

Single thick wall jar all PP 2oz (also available in 1, 4, 6, 8, 12 & 16oz)

### BENEFITS

Maximum compatibility with your formula  
 Optimum robustness thanks to the thick wall  
 Price efficient  
 Easy top filling (fill & screw on cap)  
 Wide range of decoration  
 Evacuation rate 100%



### APPLICATIONS

Creams, lotions, moisturizer, gel

## TECHNICAL SPECIFICATIONS

### GENERAL INFORMATION

#### DIMENSIONS

Total Height	1.288±.015
Diameter	2.860±.015

### PRODUCTION & PACKING

#### PRODUCTION

Lead time	4 - 6 weeks
MOQ	10k
Plant location	USA

### MATERIALS

Jar	PP
Cap	PP

### PACKING SPECS

	Carton Size	N.W	Qty/Ctn
Jar	19" x 14.5" x 10.5"	17.5 lbs	265
Smooth cap	20" x 14" x 14.5"	15.8 lbs	700
Dome Cap	20" x 14" x 14.5"	15.8 lbs	680

### CAPACITY

Declared	2oz
OFC	90.5ml ± 3%

### DECO OPTIONS

#### Jar

Injection color, silk screen, hot stamping

#### Cap

Injection color, silk screen, hot stamping